

IM-000547D

mixx™ next



nuna®

Find out more at
Pour en savoir plus au
www.nunababy.ca

nuna®

Designed
around your life

nuna®

IMPORTANT!
KEEP THESE
INSTRUCTIONS FOR
FUTURE REFERENCE:
READ CAREFULLY

Contents

Product Information	3
Warranty	
Contact	
Child Usage Requirements	4
Warnings	5
Parts List	9
Product Set Up	11
Product Use	17
Accessories	29
Car Seat Ring Adapter	
Cleaning and Maintenance	31
Francais (FR)	33

Product Information

Model Number: _____

Manufactured date: _____

The model number and the manufactured in date are located on a label on the bottom of the stroller frame.

Warranty

We have purposely designed our high-quality products so that they can grow with both your child and your family. Because we stand by our product, our gear is covered by a custom warranty per product, starting from the day it was purchased. Please have the proof of purchase, model number and manufactured in date available when you contact us.

Nuna Canada

2520 Av Marie-Curie

St-Laurent, QC, H4S 1N1

1-800-667-4111

Or, register online at www.nunababy.ca

Contact

For replacement parts, service, or additional warranty questions, please contact our customer service department.

In Canada:

info@nunababy.ca

1.800.667.4111

Child Usage Requirements

This stroller is suitable for use with children who meet the following requirements:

Weight: up to 22.7 kg (50 lb) maximum

Height: up to 114.3 cm (45 in.)

When using the stroller frame with the MIXX bassinet or NUNA infant carrier, refer to the child usage requirements listed in those instruction manuals.

WARNING

Failure to follow these warnings and instructions could result in serious injury or death.

A child's safety is your responsibility. **NEVER** leave your child unattended.

To avoid any danger of suffocation, remove all plastic covers before using the stroller and destroy or keep away from babies and children!

Keep small parts away from children as they pose a choking hazard.

Discontinue using this stroller if it becomes damaged or broken.

Use original Nuna parts and accessories only.

Use of this stroller with a child weighing more than 22.7 kg (50 lb) or taller than 114.3 cm (45 in.) in height will cause excessive wear, and stress on the stroller, and could create an unstable condition. Use the stroller with only one child at a time.

To prevent a hazardous, unstable condition, do not place more than 4.5 kg (10 lb) in the storage basket before use. Do not place more than 4.5 kg (10 lb) in the pouch.

To prevent a hazardous, unstable condition, do not place more than 0.45 kg (1 lb) in the storage pocket on the back of the seat.

Negotiate curbs and rough ground carefully. Repeated impact could cause damage to this stroller.

This stroller is to be used only at walking speed and is not intended for use while jogging, skating, etc.

The parking brake **MUST** be engaged when the stroller is stopped and when placing and removing child.

Overloading, incorrect folding, and using accessories other than those approved by Nuna, e.g. child seats, bag hooks, rain covers, buggy boards, etc., may damage or make this stroller unsafe.

Adding accessories such as purses, shopping bags, or parcels to the handle or canopy can cause the stroller to be unstable.

This stroller does not replace a crib or a bed. Should your child need to sleep, they should be placed in a crib or approved sleeping area based on your child's requirements.

Avoid serious injury from falling or sliding out. Always use seat belt. After fastening buckles, adjust belts to get a snug fit around your child.

This stroller has been designed to use from birth. We recommend using lowest reclined position for newborn babies.

Child may slip into leg openings and strangle.

NEVER use in full reclined position unless the calf support is raised to cover the front opening and the fabric flaps are snapped to the side of the stroller seat.

AVOID FINGER ENTRAPMENT Use care when folding and unfolding the stroller. Be certain the stroller is fully erected and latched before allowing your child near the stroller.

STRANGULATION HAZARD Do not place items with a string around your child's neck, suspend strings from the stroller, or attach strings to toys.

ALWAYS keep your child in view while in this stroller.

ALWAYS allow the fabric to dry naturally away from direct heat.

ALWAYS check that the attachments are correctly engaged.

DO NOT let your child play with this stroller.

DO NOT place any item on the canopy of this stroller.

DO NOT leave this stroller exposed in the vicinity of a strong source of heat i.e. a radiator or open fire or store this stroller in a damp place.

DO NOT make any changes or modifications to this stroller that are not specified in this manual.

DO NOT use storage basket as a child carrier.

NEVER use the stroller on stairs or escalators. You may suddenly lose control of the stroller or your child may fall out.

NEVER allow your child to stand on the footrest.

Car Seat Ring Adapter

Use the car seat ring adapter only with a Nuna PIPA series infant car seat in combination with a Nuna MIXX series stroller.

Read all instructions for the Nuna PIPA series infant car seat before use of this adapter.

Check that the adapter and the infant carrier are installed correctly and securely latched before every use.

ALWAYS make sure the child is properly harnessed in the infant carrier.

DO NOT exceed the maximum weight limit specified for the infant carrier.

DO NOT move the stroller and infant carrier assembly by the handle of the infant carrier.

DO NOT place any accessories on the stroller handle when using the adapter with the infant carrier, as the stroller may become unstable.

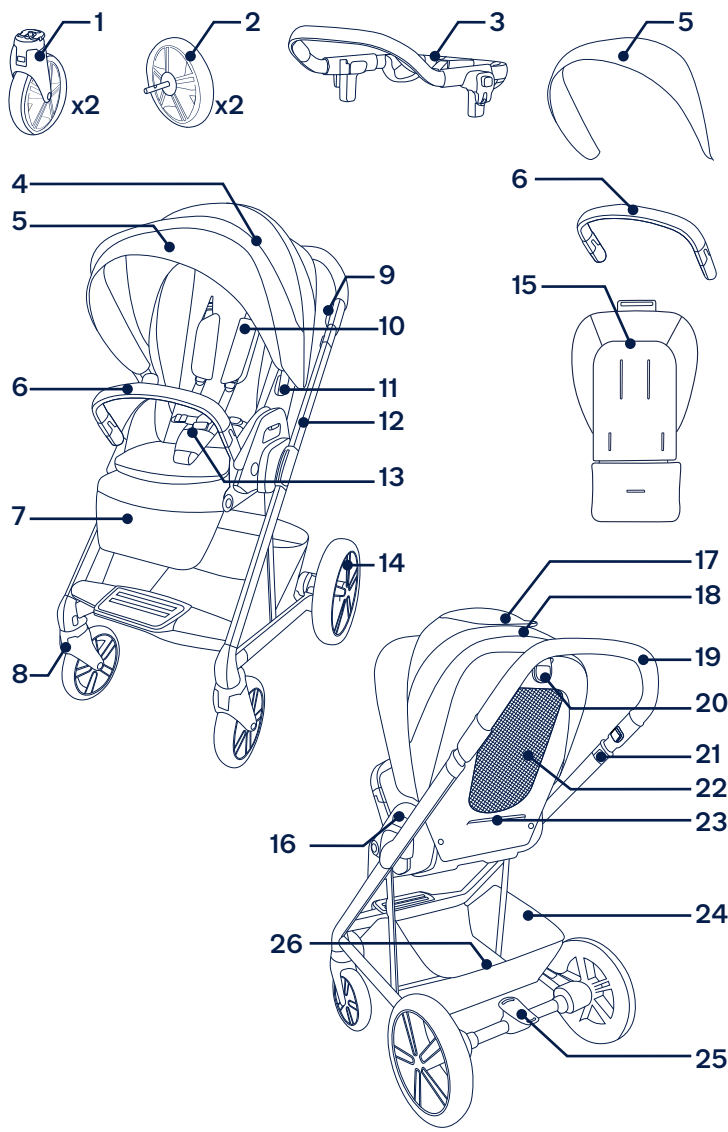
The adapter interface may present a pinching hazard. Ensure all fingers and appendages are clear of the adapter when attaching the infant carrier.

Parts List

Make sure all parts are available before assembly.
If any part is missing, please contact customer service.
No tools are required for assembly.

⚠ CHOKING HAZARD: Remove and immediately discard protective end caps from each wheel and wheel hub axle.

- | | | | |
|----|--------------------------|----|---------------------------|
| 1 | Front Wheel (x2) | 14 | Rear Wheel |
| 2 | Rear Wheel (x2) | 15 | Insert |
| 3 | Car Seat Ring Adapter | 16 | Seat Release Button |
| 4 | Canopy | 17 | Top Canopy Window |
| 5 | Canopy Visor | 18 | Back Canopy Window |
| 6 | Arm Bar | 19 | Stroller Handle |
| 7 | Calf Support | 20 | Recline Adjustment Button |
| 8 | Front Wheel | 21 | Folding Button |
| 9 | Handle Adjustment Button | 22 | Seat Ventilation |
| 10 | Shoulder Harness Pads | 23 | Storage Pocket |
| 11 | Canopy Clips | 24 | Storage Basket |
| 12 | Stroller Frame | 25 | Brake Lever |
| 13 | Buckle and Crotch Cover | 26 | Pouch |



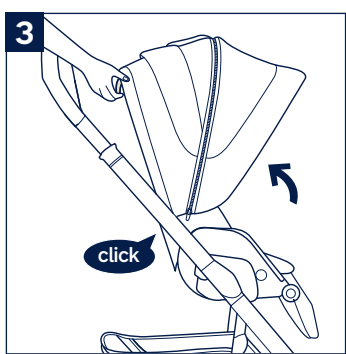
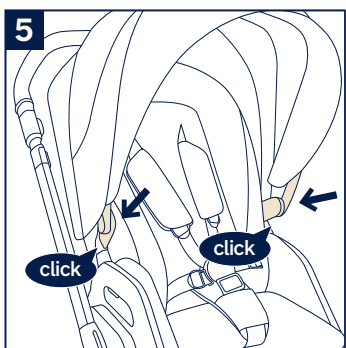
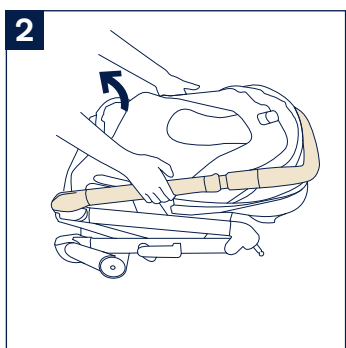
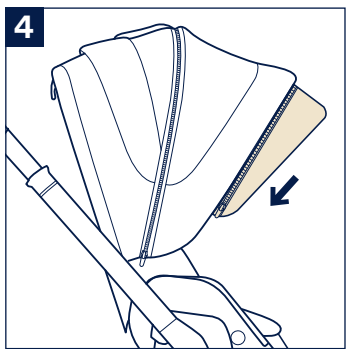
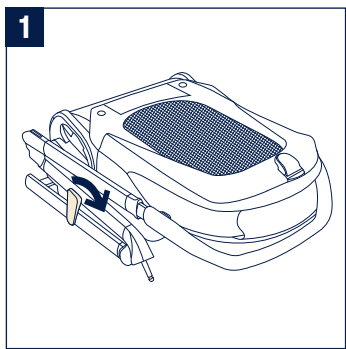
Product Set Up

Open Stroller

- 1 - Pull the storage latch out.
- 2 - Lift up on the handle from the sides and rotate to the rear of the stroller. A “click” sound means the stroller frame is open completely.
- 3 - Squeeze the recline adjustment button on the back of the seat and rotate the backrest to the upright position.
Check that the stroller is open completely before continuing.

Canopy

- 4 - Zip the canopy visor to the inside of the canopy.
- 5 - Insert the canopy clips into the canopy mounts on the sides of the stroller. A “click” sound means the canopy is assembled completely.



Front Wheels

- 1** - Insert the front wheel into the front leg. A “click” sound means the wheel is assembled completely.

Check the wheel is securely attached by pulling on them.

Repeat on opposite side.

- 2** - To remove the front wheel, press the release button **(1)** and detach the front wheel from the front leg **(2)**.

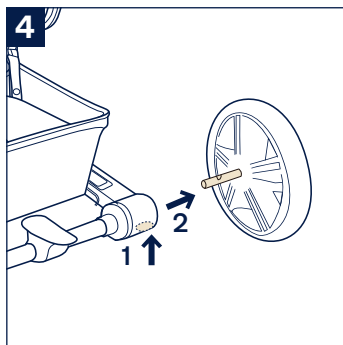
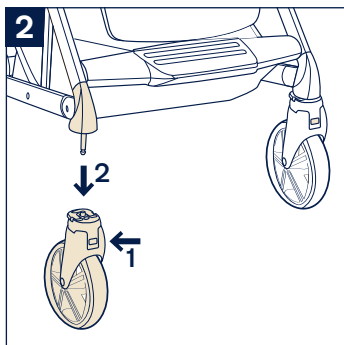
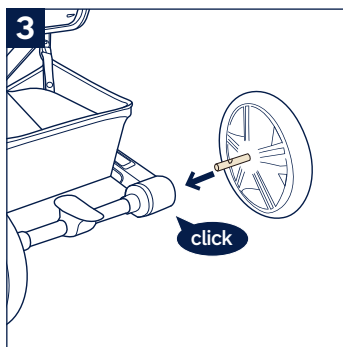
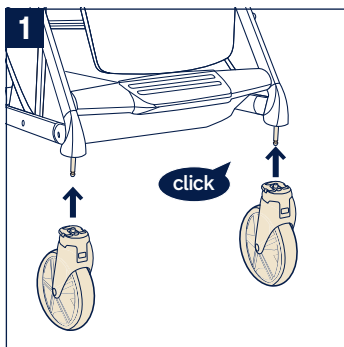
Rear Wheels

- 3** - Insert the rear wheel into the rear leg. A “click” sound means the rear wheel is assembled completely.

Repeat on opposite side.

Check that the wheel is securely attached by pulling on them.

- 4** - To remove the rear wheel, press the release button **(1)** and detach the rear wheel from the rear leg **(2)**.



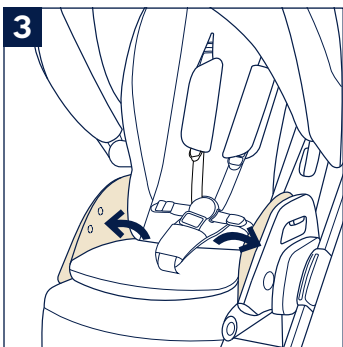
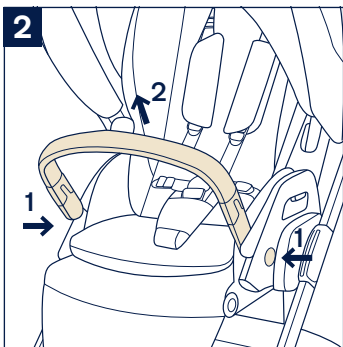
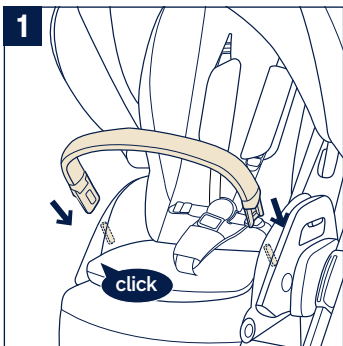
Arm Bar

⚠ Always secure the child with the harness. The arm bar is not a restraint device.

- 1** - Align the arm bar ends with the arm bar mounts, and insert until it clicks into place. A “click” sound means the arm bar is assembled completely.
- 2** - To remove the arm bar, press the arm bar release buttons **(1)** and lift the arm bar up. **(2)**
- 3** - Fasten the inner snaps of the seat pad to the inside of the seating area as shown.

Check Set Up

- Stroller frame is latched open
- Front and rear wheels securely attached
- Canopy is attached to stroller frame
- Arm bar is securely attached



Product Use

- ⚠ The parking brake **MUST** be engaged when the stroller is stopped and when placing and removing child.

Securing Your Child

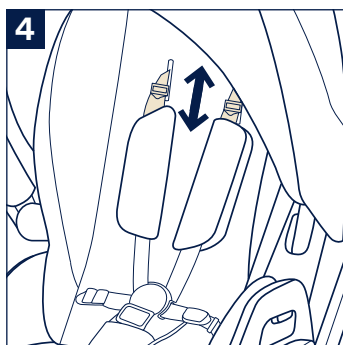
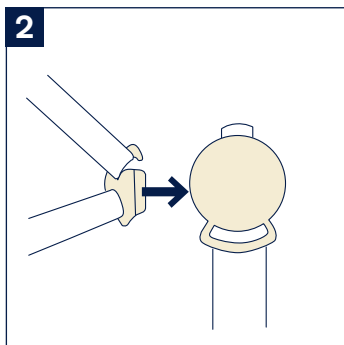
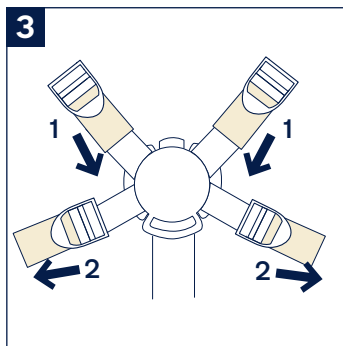
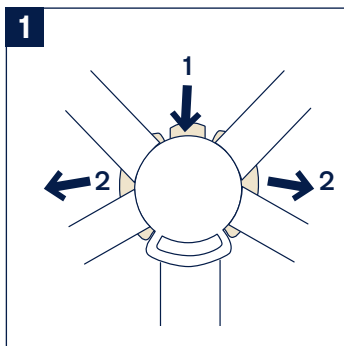
- ⚠ Avoid serious injury from falling or sliding out. Always use the seat belt.

Make sure the harness is adjusted properly and your child is snugly secured. The space between the child and the shoulder harness should be about the thickness of one finger. **DO NOT** cross the shoulder belts. This will cause pressure on your child's neck.

- 1 - Push the top button on the buckle **(1)** to release the buckle latch and remove the magnetic clips **(2)**. Place your child in the stroller.
- 2 - Insert the magnetic clips into the buckle.
- 3 - Fit the harness snugly to your child by sliding the adjustment straps to tighten **(1)**. Then pull the waist adjustment straps out **(2)**.

Shoulder Harness Position

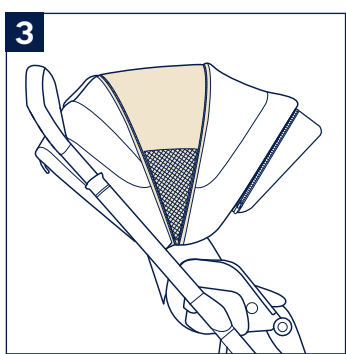
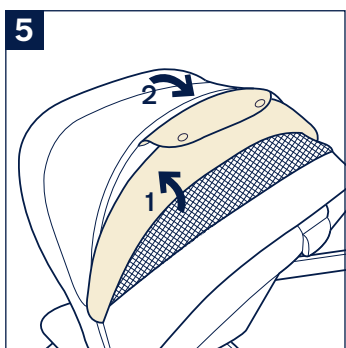
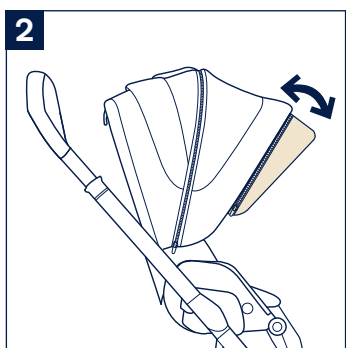
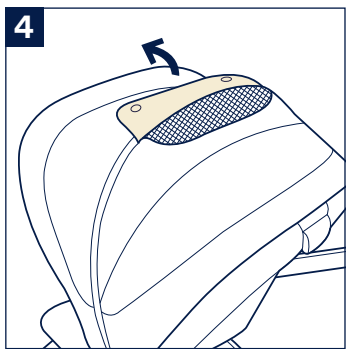
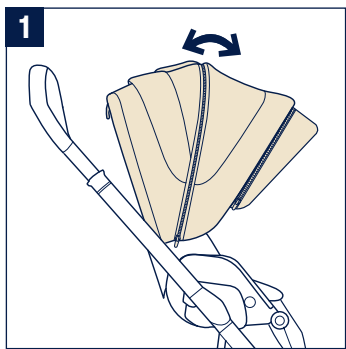
- 4 - The upper shoulder harness buckles can be moved up and down for added adjustment.



Canopy

- 1** - To open the canopy, pull the canopy toward the front of the seat. To close the canopy, push it back.
- 2** - Position the canopy visor forward or backward as needed. When not in use, fold the canopy visor under the canopy.
- 3** - Open the zipper on the canopy for extra shade and ventilation.
- 4** - For ventilation, flip up the top canopy window cover.
- 5** - For additional ventilation, flip up the back canopy window cover **(1)** and fold down the top canopy window **(2)**.

The canopy is not removable.




Front Swivel Locks

It is recommended to use the front swivel locks on uneven surfaces.

- 1** - Squeeze **(1)** and pull out the front swivel lock **(2)** to lock the front wheel forward facing. You may need to move the wheel to get it to lock.
- 2** - Push in the front swivel lock to unlock.

Brake

- 3** - To lock the rear wheels, step down on the red area on the brake lever.
 - 4** - To unlock the rear wheels, step down on the green area on of the brake lever.
-  Always apply the brake when the stroller is stopped. Push the stroller slightly to ensure the brake is engaged.

Handle

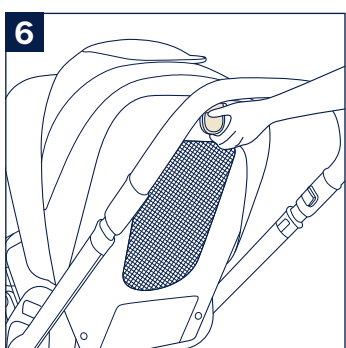
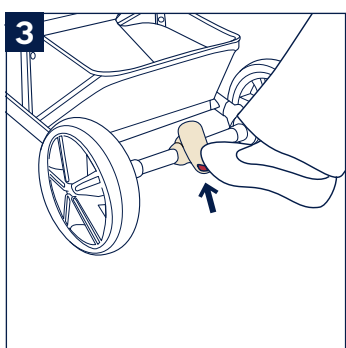
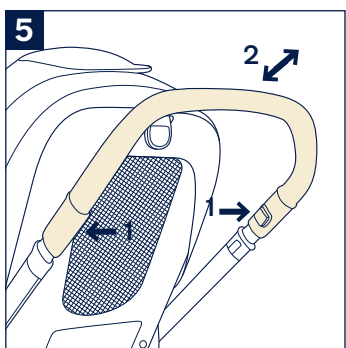
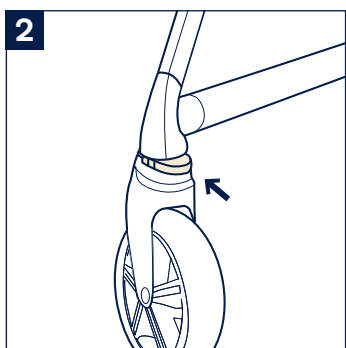
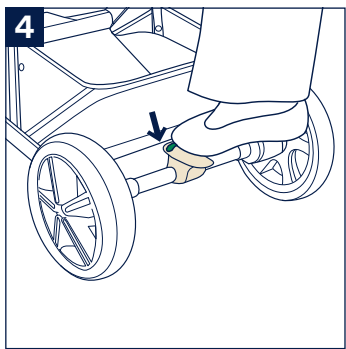
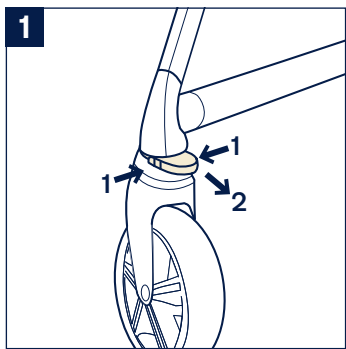
The handle has 3 positions.

- 5** - To adjust the height of the handle, press the handle adjustment buttons **(1)** and pull the handle up or down **(2)**.

Recline Adjustment

There are 5 recline positions for the backrest.

- 6** - To raise or lower the backrest, squeeze the recline adjustment button, and pull the seat up or down.



Calf Support

The calf support has 3 use positions.

- 1 - To raise the calf support, lift up.
- 2 - To lower the calf support, press the adjustment buttons on the sides **(1)**, and push down **(2)**.

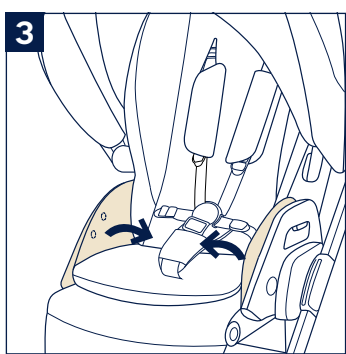
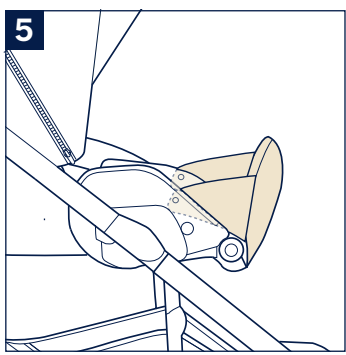
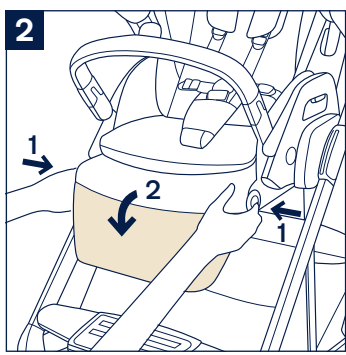
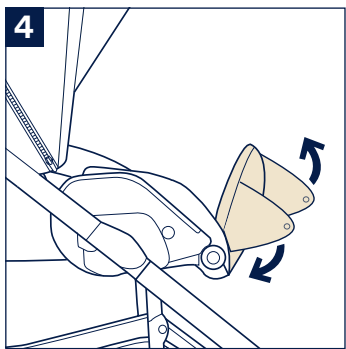
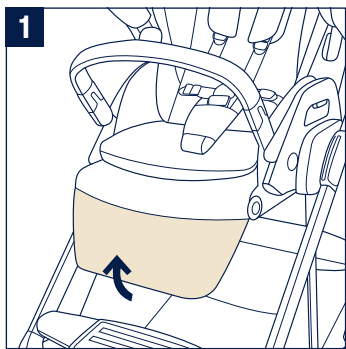
Full Recline

 Child may slip into leg openings and strangle.

NEVER use in full reclined position unless the calf support is raised to cover the front opening and the fabric flaps are snapped to the side of the stroller seat.

DO NOT use enclosure with an older child that can push up on hands and knees or crawl out.

- 3 - Remove the arm bar before using the full recline. Unfasten the front snaps from inside the seating area on both sides of the seat.
- 4 - Fully recline the seat, rotate the calf support to the upright position and unfasten the flaps underneath the calf support.
- 5 - Fasten the flaps to the front snaps on the inside of the seating area on both sides of the seat.



Insert

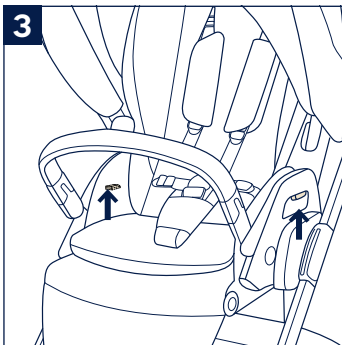
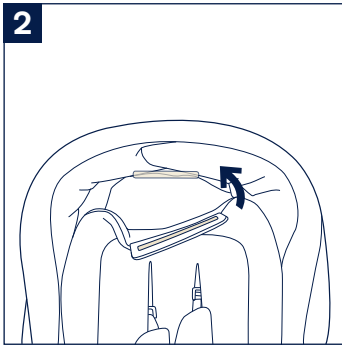
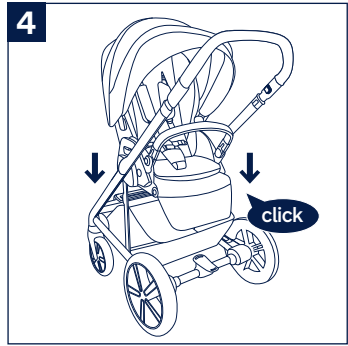
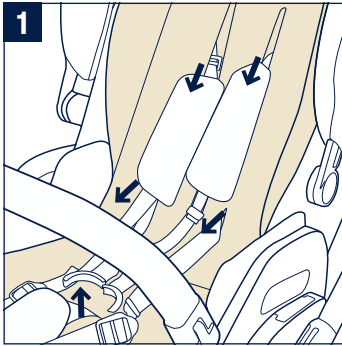
- 1 - To assemble the insert, place the insert over the seat and thread the shoulder, waist and crotch harnesses through their respective slots.
- 2 - Attach the hook and loop fasteners.

Reverse Seat

The seat can be used rear or forward facing.

- 3 - Squeeze the seat release buttons and lift the seat up.
- 4 - Turn the seat in the opposite direction and place on the seat mounts until it clicks into place. A “click” sound means the seat is attached.

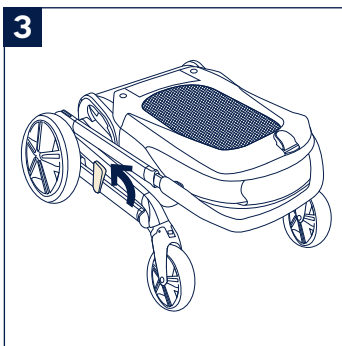
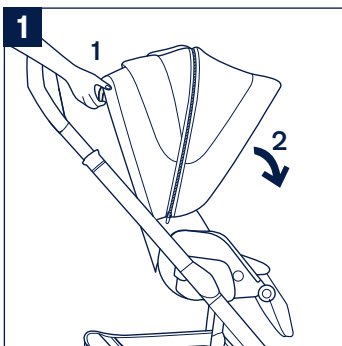
Check to make sure seat is securely attached by pulling up on it.



Fold

Before folding, push the canopy to the rear of the stroller.

- 1** - Squeeze the recline adjustment button on the back of the seat **(1)** and rotate the backrest to the stored position **(2)**.
- 2** - Pull up on the folding buttons **(1)** and push the stroller forward to fold **(2)**.
- 3** - Lock the stroller by tucking the storage latch onto the storage mount.



Accessories


Car Seat Ring Adapter


- 1 - Slide the two pieces of the adapter together until you hear a click. The “click” sound means the adapter is connected.

Pull outwards on either end to ensure the attachment is secure.

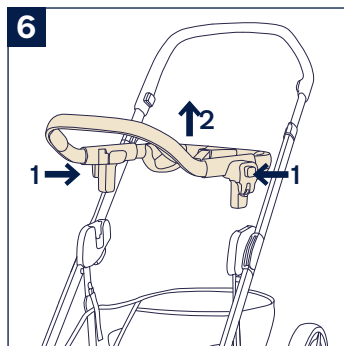
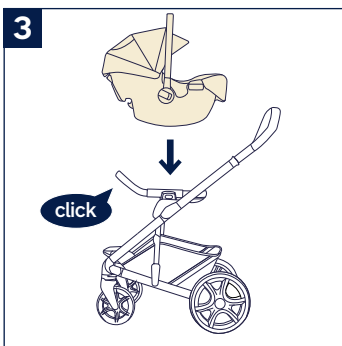
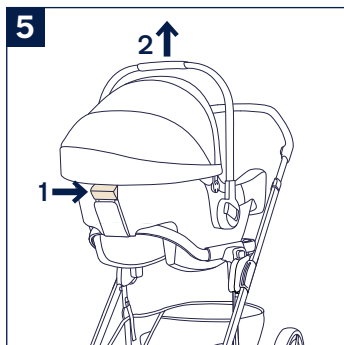
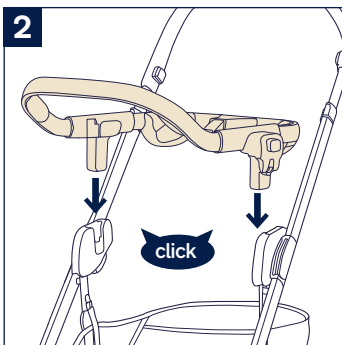
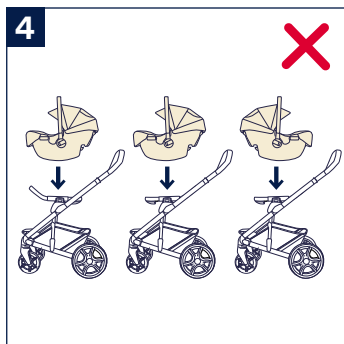
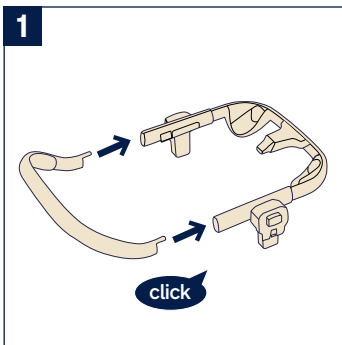
- 2 - To attach the adapter to the MIXX series stroller, place the adapter onto the seat mounts until it clicks into place. A “click” sound means the adapter is attached.
- 3 - To attach the infant carrier, place the infant carrier onto the adapter and press down.

Listen for a “click” to ensure it is locked.

 Pull up on the infant carrier to check that it is securely locked to the adapter and that the adapter is securely locked to the stroller.

- 4 - **DO NOT** attach the infant carrier in any of these configurations.
 - 5 - To release the infant carrier, squeeze the release button located on the back of the infant carrier (1), and pull up on the infant carrier (2).
 - 6 - To remove the adapter, press the adapter release buttons on both sides (1) and then lift up the adapter (2).
-  See PIPA series instruction manual for proper usage of the infant carrier.

Remove the infant carrier before folding.



Cleaning and Maintenance

Clean the frame, plastic parts, and fabric with a damp cloth, but do not use abrasives or bleach. Do not use silicon lubricants as they will attract dirt and grime. Do not store your stroller in a damp place.

Clean the stroller wheels regularly with water and remove any dirt.

Clean the adapter with a damp cloth and a mild detergent and dry thoroughly. Do not use abrasives.

To ensure long-lasting use, wipe off this product with a soft, absorbent cloth after using it in rainy weather.

Refer to the care label attached to the fabric for washing and drying instructions.

It is normal for fabric to color from sunlight and to show wear and tear after a long period of use, even when used normally.

For reasons of safety, only use original Nuna parts.

Check regularly if everything functions properly. If any parts are torn, broken, or missing, stop using this product.

Conçus
pour votre mode de vie

nuna®

IMPORTANT !
CONSERVEZ LE PRÉSENT
MODE D'EMPLOI
POUR CONSULTATION
ULTÉRIEURE :
LE LIRE ATTENTIVEMENT

Table des matières

Renseignements sur le produit	35
Garantie	
Nous joindre	
Exigences relatives à l'enfant	36
Mises en garde	37
Liste des pièces	43
Montage du produit	45
Utilisation du produit	51
Accessoires	63
Adaptateur circulaire pour siège d'auto	
Nettoyage et entretien	65

Informations sur le produit

Numéro de modèle: _____

Date de fabrication: _____

Le numéro de modèle et la date de fabrication se situent sur une étiquette sur la partie inférieure du cadre de la poussette.

Garantie

Nos produits de grande qualité sont expressément conçus pour s'adapter à la croissance des enfants et aux besoins des familles. Nous avons confiance en nos produits.

C'est pourquoi nous les accompagnons d'une garantie personnalisée qui entre en vigueur le jour de l'achat. Avant de communiquer avec nous, s'assurer d'avoir la preuve d'achat, le numéro de modèle et la date de fabrication du produit sous la main.

Pour obtenir des renseignements sur la garantie :
www.nunababy.ca

Nous joindre

Pour obtenir des pièces de rechange, du service ou des renseignements additionnels sur la garantie, communiquer avec notre service à la clientèle.

Au Canada:

info@nunababy.ca

1.800.667.4111

Exigences relatives à l'enfant

Cette poussette convient aux enfants qui satisfont aux critères suivants :

Poids: 22,7 kg (50 lb) maximum

Taille: jusqu'à 114,3 cm (45 po)

En cas d'utilisation du cadre de la poussette avec la nacelle MIXX ou un siège d'auto pour bébé de Nuna, consulter les exigences relatives à l'enfant dans le mode d'emploi de ces produits.

MISE EN GARDE

Le non-respect des présentes mises en garde et des instructions pourrait entraîner des blessures graves ou mortelles.

La sécurité de l'enfant est votre responsabilité. Ne **JAMAIS** laisser l'enfant sans surveillance.

Pour éviter les risques de suffocation, retirer tout l'emballage en plastique avant d'utiliser la poussette. Détruire cet emballage ou le garder hors de portée des enfants.

Risques d'étouffement : garder les petites pièces hors de portée des enfants.

Cesser d'utiliser la poussette si elle est brisée ou endommagée.

Utiliser uniquement des pièces et accessoires d'origine de Nuna.

L'utilisation de la poussette pour un enfant de plus de 22,7 kg (50 lb) ou 114,3 cm (45 po) occasionnera une usure prématurée et un effort excessif de la poussette et pourrait la déséquilibrer. Utiliser la poussette pour un seul enfant à la fois.

Afin de prévenir les situations dangereuses d'instabilité, ne pas mettre plus de 4,5 kg (10 lb) dans le panier avant l'utilisation. Ne pas mettre plus de 4,5 kg (10 lb) dans la poche.

Afin de prévenir les situations dangereuses d'instabilité, ne pas mettre plus de 0,45 kg (1 lb) dans la pochette à l'arrière du siège.

Faire preuve de prudence en montant ou en descendant une marche ou un trottoir et sur les terrains accidentés. Les chocs répétés pourraient endommager la poussette.

Cette poussette doit être utilisée pour la marche seulement; elle n'est pas conçue pour le jogging, le patin, etc.

TOUJOURS mettre le frein lorsque la poussette est à l'arrêt et pour installer l'enfant dans la poussette ou l'en sortir.

Le fait de surcharger la poussette, de mal la plier ou d'y ajouter des accessoires (siège d'auto, crochets à sacs, housse imperméable, plateau, etc.) non approuvés par Nuna peut endommager la poussette ou la rendre dangereuse.

L'ajout d'accessoires, tels que des sacs à main, des sacs à provisions ou des colis, sur la poignée ou la capote peut déséquilibrer la poussette.

La poussette ne doit pas remplacer un lit de bébé. Si l'enfant a besoin de dormir, il doit être placé dans un lit de bébé ou dans une aire de sommeil approuvée qui correspond à ses besoins.

Pour éviter que l'enfant subisse des blessures graves en tombant ou en glissant du produit, toujours utiliser la ceinture de sécurité. Après avoir bouclé les sangles, les régler pour qu'elles soient étroitement ajustées au corps de l'enfant.

La poussette peut accueillir un nouveau-né. Dans ce cas, nous recommandons d'incliner complètement le dossier.

L'enfant peut glisser dans les ouvertures pour les jambes et s'étrangler.

NE JAMAIS utiliser le siège en position landau, c'est-à-dire le dossier complètement incliné, sans avoir monté le repose-jambes pour fermer l'ouverture à l'avant de la poussette et sans avoir attaché les rabats au moyen des boutons-pression de chaque côté du siège.

POUR ÉVITER LES PINCEMENTS DE DOIGTS, faire preuve de prudence durant l'ouverture et la fermeture de la poussette. S'assurer que la poussette est entièrement déployée et verrouillée avant de permettre à l'enfant de s'en approcher.

RISQUE D'ÉTRANGLEMENT : Ne pas mettre d'objets munis d'une corde ou d'un cordon autour du cou de l'enfant, ne pas suspendre de cordes à la poussette et ne pas attacher de cordes aux jouets de l'enfant.

NE JAMAIS perdre l'enfant de vue lorsqu'il est dans la poussette.

TOUJOURS laisser le tissu sécher à l'air ambiant, loin d'une source directe de chaleur.

TOUJOURS s'assurer que les accessoires sont solidement fixés.

NE PAS laisser l'enfant jouer avec la poussette.

Ne **RIEN** poser sur la capote.

NE PAS laisser la poussette près d'une source de chaleur intense (radiateur, foyer, etc.) et **NE PAS** la ranger dans un endroit humide.

NE PAS apporter de changements ou de modifications qui ne sont pas précisés dans ce manuel.

NE PAS transporter un enfant dans le panier.

Ne **JAMAIS** utiliser la poussette dans un escalier, fixe ou roulant. Il y a danger de perdre la maîtrise de la poussette et que l'enfant en tombe.

Ne **JAMAIS** laisser l'enfant monter sur le repose-pieds.

Adaptateur circulaire pour siège d'auto

L'adaptateur circulaire pour siège d'auto ne doit être utilisé qu'avec un siège d'auto pour bébé PIPA en combinaison avec une poussette MIXX de Nuna.

Lire toutes les instructions du siège d'auto pour bébé PIPA avant de l'utiliser avec l'adaptateur circulaire.

Avant chaque utilisation, s'assurer que l'adaptateur et le siège d'auto pour bébé sont installés correctement et solidement.

TOUJOURS s'assurer que l'enfant est attaché correctement avec le harnais dans le siège d'auto pour bébé.

NE PAS dépasser la limite de poids indiquée pour le siège d'auto pour bébé.

Lorsque la poussette et le siège d'auto pour bébé sont assemblés, **NE PAS** les déplacer à l'aide de la poignée du siège d'auto pour bébé.

NE PAS placer d'accessoires sur la poignée de la poussette pendant de l'utilisation de l'adaptateur avec le siège d'auto pour bébé, car cela peut déséquilibrer la poussette.

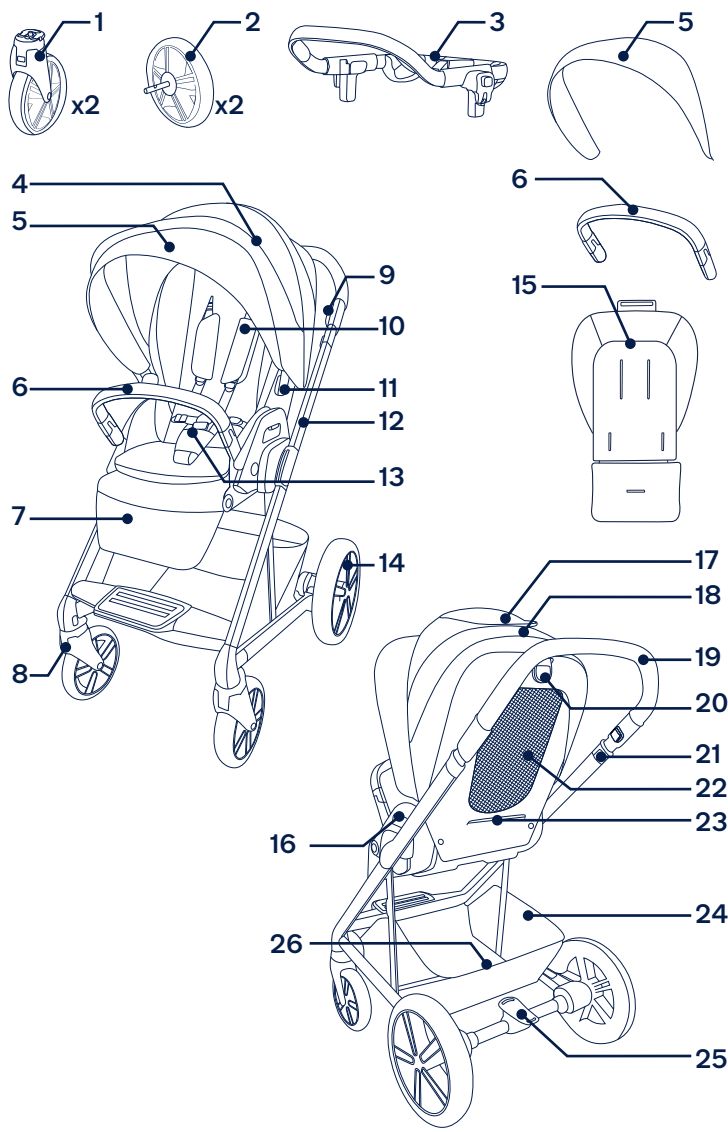
Il y a risque de se pincer les doigts dans l'adaptateur. Tenir les doigts et toute autre partie du corps loin de l'adaptateur pendant l'installation du siège d'auto pour bébé.

Liste des pièces

S'assurer d'avoir toutes les pièces avant l'assemblage.
S'il manque des pièces, communiquer avec Nuna.
Aucun outil n'est requis pour l'assemblage.

⚠ RISQUE D'ÉTOUFFEMENT : Enlever et jeter aussitôt les capuchons protecteurs des roues et des essieux.

- | | | | |
|----|---|----|------------------------------------|
| 1 | Roue avant (x2) | 14 | Roue arrière |
| 2 | Roue arrière (x2) | 15 | Coussin réducteur |
| 3 | Adaptateur circulaire pour siège d'auto | 16 | Bouton de déverrouillage du siège |
| 4 | Capote | 17 | Fenêtre supérieure de la capote |
| 5 | Pare-soleil de la capote | 18 | Fenêtre arrière de la capote |
| 6 | Barre d'appui | 19 | Poignée de la poussette |
| 7 | Repose-jambes | 20 | Bouton de réglage de l'inclinaison |
| 8 | Roue avant | 21 | Bouton de pliage |
| 9 | Bouton de réglage de la poignée | 22 | Panneau d'aération du siège |
| 10 | Couvre-bretelles | 23 | Pochette de rangement |
| 11 | Pinces de la capote | 24 | Panier |
| 12 | Cadre de la poussette | 25 | Levier de frein |
| 13 | Boucle et coussinet d'entrejambe | 26 | Poche |



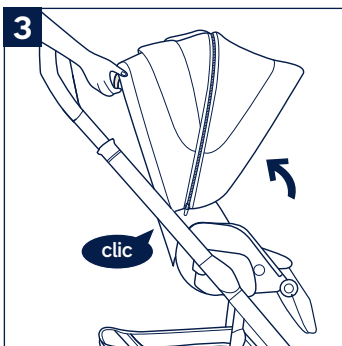
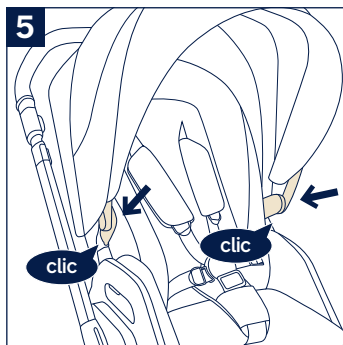
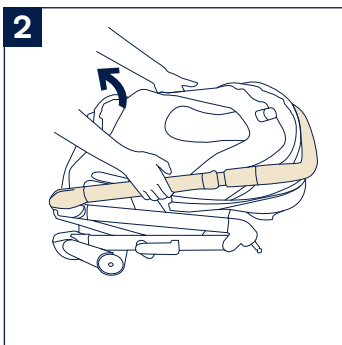
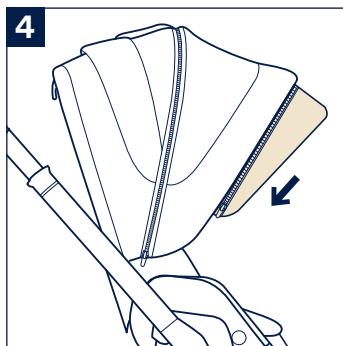
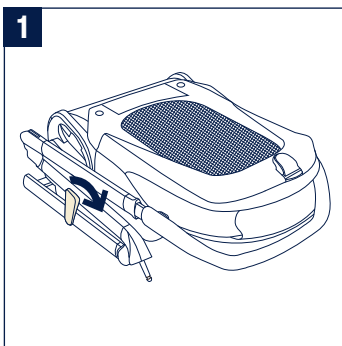
Montage du produit

Ouverture de la poussette

- 1 - Tirer sur la languette de verrouillage.
- 2 - Soulever la poignée par les côtés et la faire pivoter vers l'arrière de la poussette. Un « clic » confirme que le cadre de la poussette est complètement ouvert.
- 3 - Appuyer sur le bouton de réglage de l'inclinaison à l'arrière du siège et redresser complètement le dossier.
S'assurer que la poussette est complètement ouverte avant de continuer.

Capote

- 4 - Attacher le pare-soleil à l'intérieur de la capote à l'aide de la fermeture éclair.
- 5 - Insérer les pinces de la capote dans les supports sur les côtés de la poussette. Un « clic » confirme que la capote est bien installée.



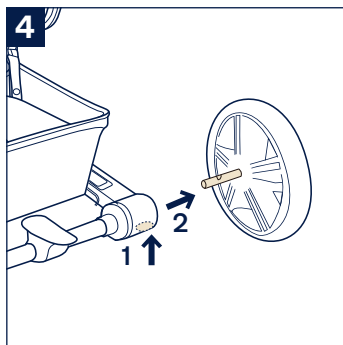
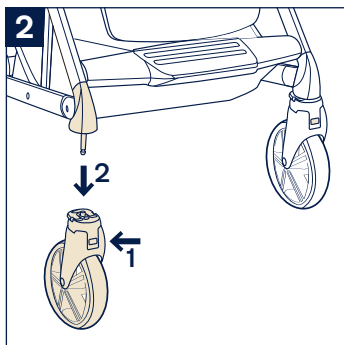
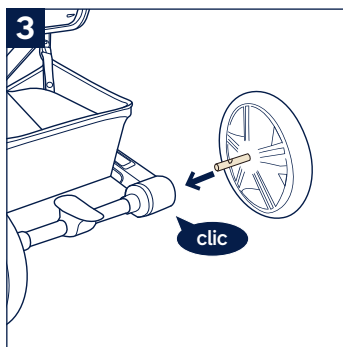
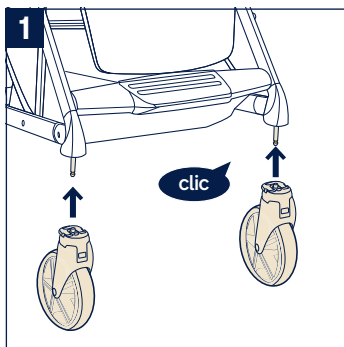
FR

Roues avant

- 1** - Insérer le pied avant de la poussette dans la roue avant. Un « clic » confirme que la roue est bien installée.
Tirer sur la roue pour s'assurer qu'elle est solidement fixée. Répéter de l'autre côté.
- 2** - Pour retirer la roue avant, appuyer sur le bouton **(1)** et détacher la roue du pied avant **(2)**.

Roues arrière

- 3** - Insérer la roue arrière dans le pied arrière. Un « clic » confirme que la roue arrière est bien installée. Répéter de l'autre côté.
Tirer sur la roue pour s'assurer qu'elle est solidement fixée.
- 4** - Pour retirer la roue arrière, appuyer sur le bouton **(1)** et détacher la roue du pied arrière **(2)**.



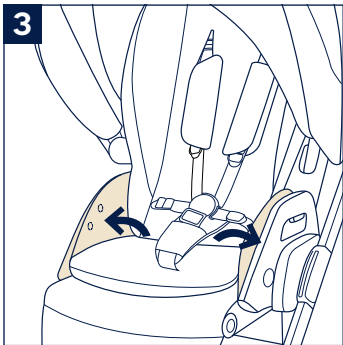
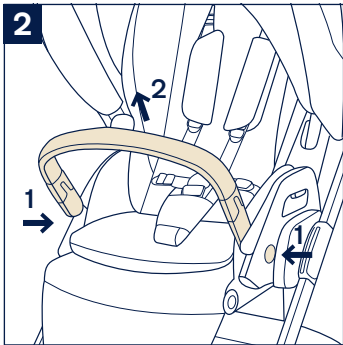
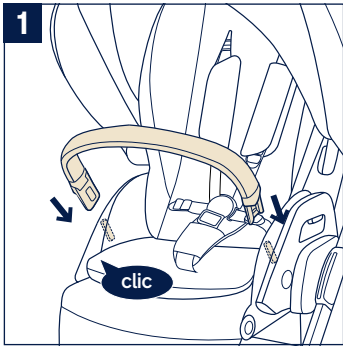
FR

Barre d'appui

- ⚠** Toujours attacher l'enfant avec le harnais.
La barre d'appui n'est pas un dispositif de retenue.
- 1** - Aligner les extrémités de la barre d'appui et les supports correspondants sur la poussette; appuyer jusqu'à ce que les pièces s'emboîtent. Un « clic » confirme que la barre d'appui est bien installée.
 - 2** - Pour enlever la barre d'appui, appuyer sur les boutons **(1)** et tirer sur la barre d'appui **(2)**.
 - 3** - Attacher les boutons-pression du coussin à ceux situés à l'intérieur du siège, comme l'indique l'illustration.

Vérification du montage

- Le cadre de la poussette est ouvert et verrouillé
- Les roues avant et arrière sont solidement fixées
- La capote est fixée au cadre de la poussette
- La barre d'appui est solidement fixée



Utilisation du produit

- ⚠** **TOUJOURS** mettre le frein lorsque la poussette est à l'arrêt et pour installer l'enfant dans la poussette ou l'en sortir.

Attacher l'enfant

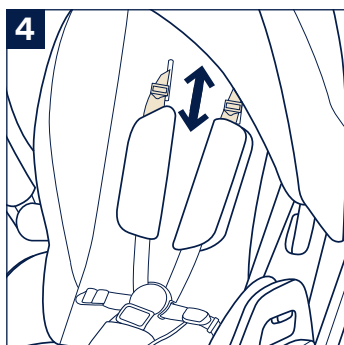
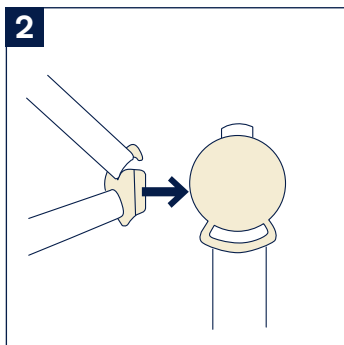
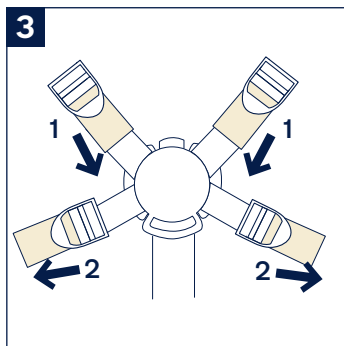
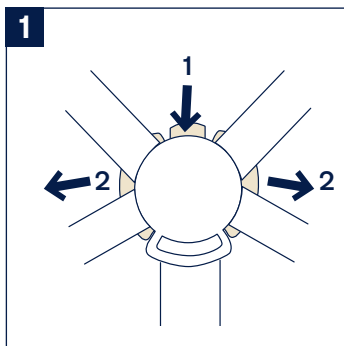
- ⚠** Pour éviter que l'enfant subisse des blessures graves en tombant ou en glissant du produit, toujours utiliser la ceinture de sécurité.

S'assurer que le harnais est ajusté correctement et que l'enfant est attaché de façon sécuritaire. L'espace entre l'enfant et les bretelles du harnais doit avoir environ l'épaisseur d'un doigt. **NE PAS** croiser les bretelles du harnais. Cela pourrait faire pression sur le cou de l'enfant.

- 1** - Appuyer sur le bouton supérieur de la boucle **(1)** pour déverrouiller celle-ci, puis retirer les languettes magnétiques **(2)**. Placer l'enfant dans la poussette.
- 2** - Insérer les languettes magnétiques dans la boucle.
- 3** - Ajuster le harnais étroitement sur le corps de l'enfant en faisant coulisser les sangles pour les serrer **(1)**. Tirer ensuite sur les sangles de la ceinture **(2)**.

Position des bretelles

- 4** - Les boucles des bretelles peuvent être déplacées vers le haut ou le bas pour un ajustement additionnel.

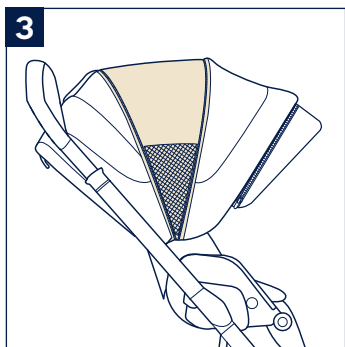
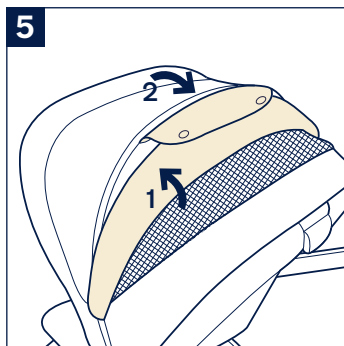
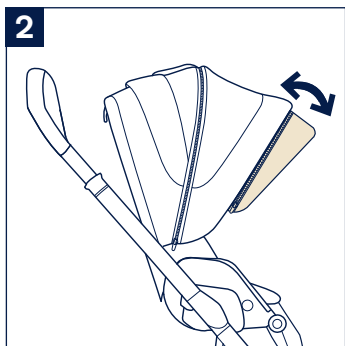
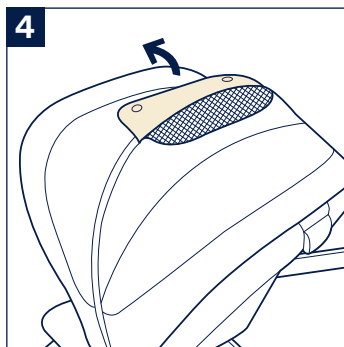
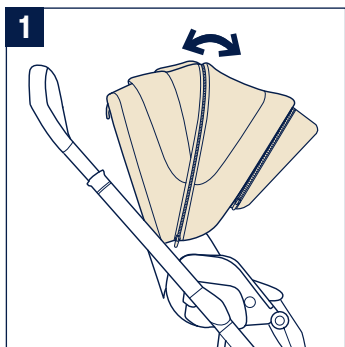


FR

Capote

- 1** - Pour déployer la capote, la tirer vers l'avant du siège; pour la rabattre, la pousser vers l'arrière.
- 2** - Déployer ou replier le pare-soleil selon les besoins. Lorsque le pare-soleil n'est pas requis, le replier sous la capote.
- 3** - Ouvrir la fermeture éclair de la capote pour créer plus d'ombre et augmenter la circulation d'air.
- 4** - Pour augmenter la circulation d'air, ouvrir le rabat de la fenêtre supérieure de la capote.
- 5** - Pour augmenter davantage la circulation d'air, ouvrir le rabat de la fenêtre arrière de la capote **(1)** et replier la fenêtre supérieure de la capote **(2)**.

La capote n'est pas amovible.



Blocage des roues avant pivotantes

Il est recommandé de bloquer le pivot des roues avant sur les surfaces inégales.

- 1** - Serrer le verrou du pivot **(1)**, puis le tirer vers l'extérieur **(2)** pour bloquer la roue en position avant. Il peut être nécessaire de déplacer la roue pour qu'elle se verrouille.
- 2** - Enfoncer le verrou pour débloquer la roue.

Frein

- 3** - Pour bloquer les roues arrière, appuyer avec le pied sur la zone rouge du levier de frein.
 - 4** - Pour débloquer les roues arrière, appuyer avec le pied sur la zone verte du levier de frein.
- ⚠** Toujours mettre le frein quand la poussette est à l'arrêt. Essayer d'avancer légèrement la poussette pour s'assurer que le frein est mis.

Poignée

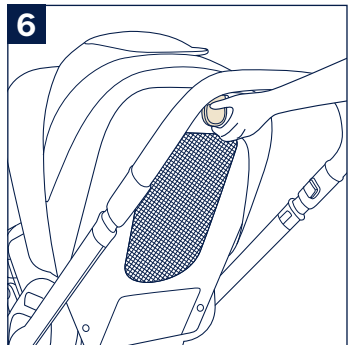
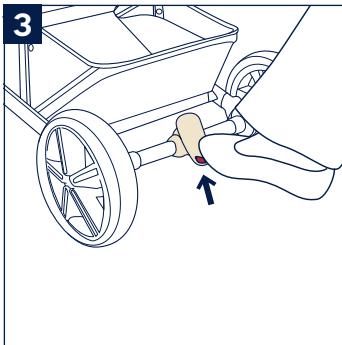
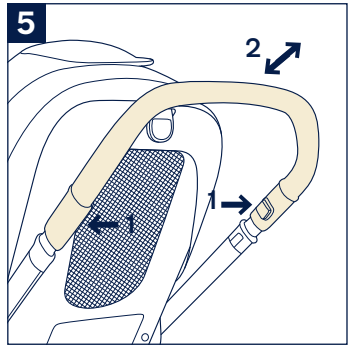
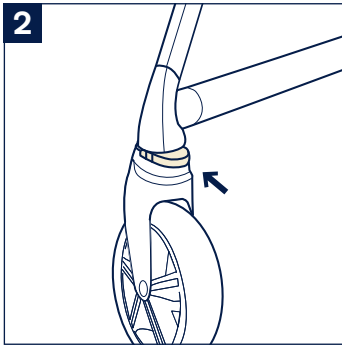
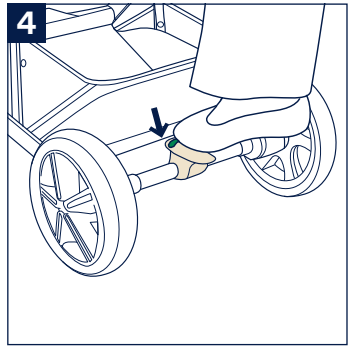
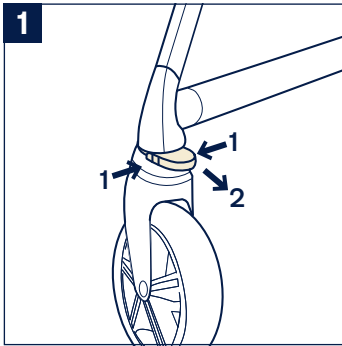
La poignée est réglable en trois positions.

- 5** - Pour régler la hauteur de la poignée, appuyer sur les boutons de réglage **(1)** et faire pivoter la poignée vers le haut ou vers le **(2)**.

Réglage de l'inclinaison

Le dossier est réglable en cinq positions.

- 6** - Pour incliner ou redresser le dossier, appuyer sur le bouton de réglage de l'inclinaison et mettre le dossier dans la position souhaitée.



Repose-jambes

Le repose-jambes est réglable en trois positions.

- 1 - Pour monter le repose-jambes, le faire pivoter vers le haut.
- 2 - Pour baisser le repose-jambes, appuyer sur les boutons de réglage latéraux (1) et faites pivoter le repose-jambes vers le bas (2).

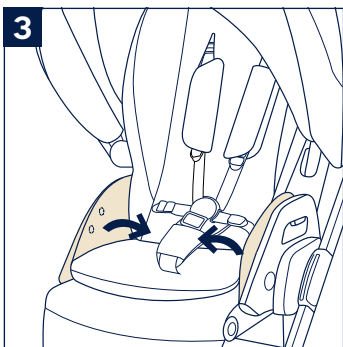
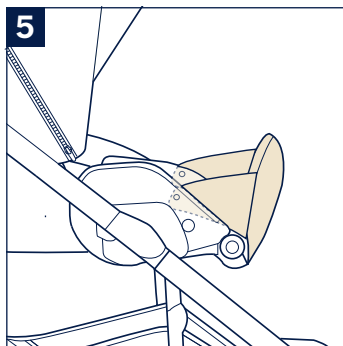
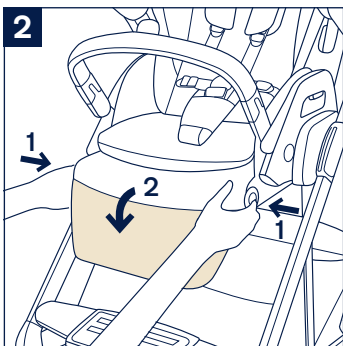
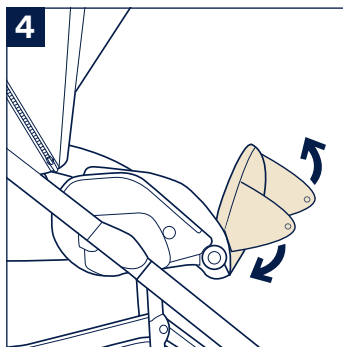
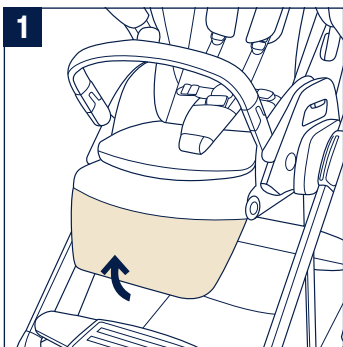
Position landau

! L'enfant peut glisser dans les ouvertures pour les jambes et s'étrangler.

NE JAMAIS utiliser le siège en position landau, c'est-à-dire le dossier complètement incliné, sans avoir monté le repose-jambes pour fermer l'ouverture à l'avant de la poussette et sans avoir attaché les rabats au moyen des boutons-pression de chaque côté du siège.

NE PAS fermer le siège de cette façon si l'enfant est capable de ramper ou de se mettre à quatre pattes.

- 3 - Retirer la barre d'appui avant d'utiliser le siège en position landau. Détacher les boutons-pression à l'intérieur du siège, de chaque côté.
- 4 - Incliner complètement le dossier, monter le repose-jambes au maximum et détacher les rabats sous le repose-jambes.
- 5 - Attacher les rabats à l'aide des boutons-pression à l'intérieur du siège, de chaque côté.



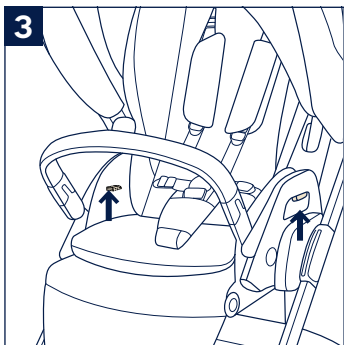
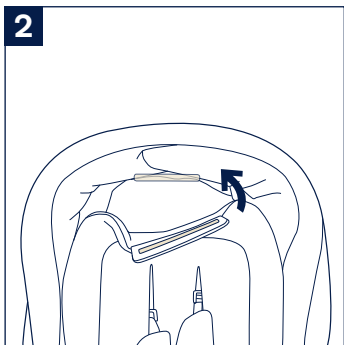
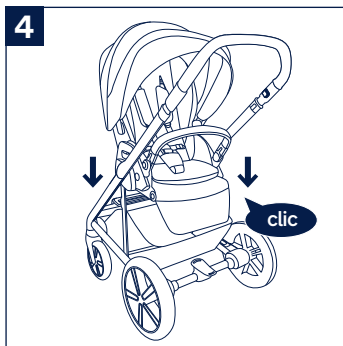
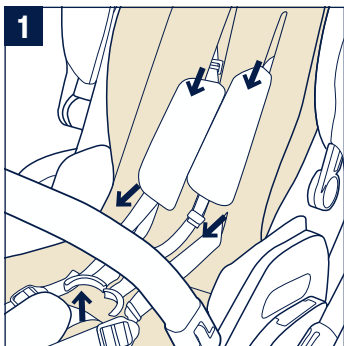
Coussin réducteur

- 1 - Pour installer le coussin réducteur, le placer sur le siège et passer les bretelles, les sangles de la ceinture et la sangle d'entrejambe dans leur fente respective.
- 2 - Attacher les bandes autoagrippantes.

Inversion du siège

Le siège peut être orienté vers l'arrière ou vers l'avant.

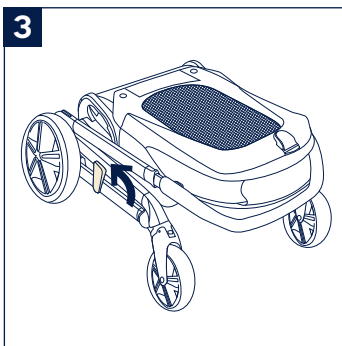
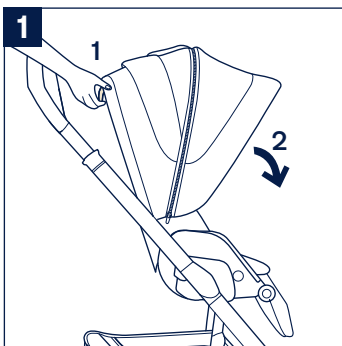
- 3 - Presser les boutons de déverrouillage et soulever le siège.
- 4 - Tourner le siège dans la direction opposée et le placer sur les supports de siège jusqu'à ce que les pièces s'emboîtent. Un « clic » confirme que le siège est bien installé.
Tirer sur le siège pour s'assurer qu'il est solidement fixé.



Fermeture

Avant de fermer la poussette, rabattre complètement la capote vers l'arrière.

- 1** - Appuyer sur le bouton de réglage de l'inclinaison à l'arrière du siège **(1)** et faire pivoter le dossier jusqu'à la position de rangement **(2)**.
- 2** - Monter les boutons de fermeture **(1)** et replier la poussette vers l'avant **(2)**.
- 3** - Verrouiller la poussette en accrochant la languette de verrouillage sur sa pièce de fixation.




Accessoires


Adaptateur circulaire pour siège d'auto

- 1 - Réunir les deux pièces de l'adaptateur jusqu'à ce qu'elles s'emboîtent. Un « clic » confirme que les pièces de l'adaptateur sont emboîtées. Tirer sur les deux pièces pour s'assurer qu'elles sont solidement fixées l'une à l'autre.
- 2 - Pour installer l'adaptateur sur la poussette MIXX, placer l'adaptateur sur les supports de siège et appuyer jusqu'à ce que les pièces s'emboîtent. Un « clic » confirme que l'adaptateur est bien installé.
- 3 - Pour fixer le siège d'auto pour bébé, le placer sur l'adaptateur et appuyer vers le bas.

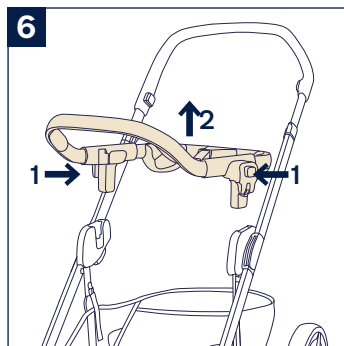
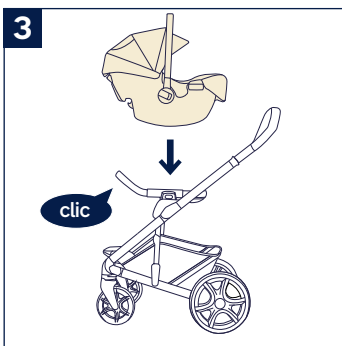
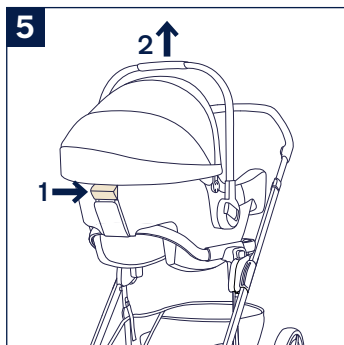
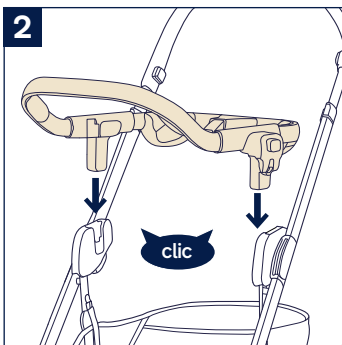
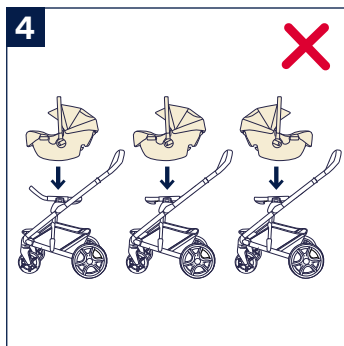
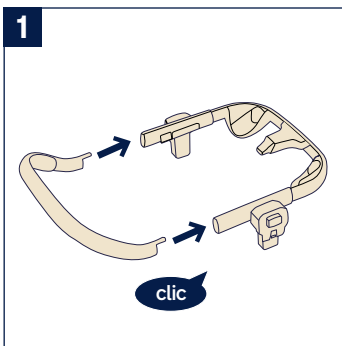
Un « clic » confirme que le siège d'auto pour bébé est solidement fixé.

 Tirer sur le siège d'auto pour bébé pour vérifier la solidité de son installation sur l'adaptateur et la solidité de l'adaptateur sur la poussette.

- 4 - **NE PAS** fixer le siège d'auto pour bébé dans les configurations illustrées.
- 5 - Pour retirer le siège d'auto pour bébé, presser le bouton de dégagement situé à l'arrière du siège d'auto pour bébé (1) et soulever le siège d'auto pour bébé (2).
- 6 - Pour retirer l'adaptateur, presser les boutons de dégagement situés de chaque côté (1) et soulever l'adaptateur (2).

 Consulter le mode d'emploi du siège d'auto PIPA pour utiliser le siège d'auto pour bébé correctement.

Retirer le siège d'auto pour bébé avant de plier la poussette.



Nettoyage et entretien

Nettoyer le cadre, les pièces en plastique et le tissu avec un linge humide; éviter cependant les nettoyants abrasifs et les agents de blanchiment. Ne pas employer de lubrifiants à base de silicone, car ils captent la poussière et les saletés. Ne pas ranger la poussette dans un endroit humide.

Nettoyer régulièrement les roues à l'eau pour en retirer toute la saleté.

Nettoyer l'adaptateur avec un linge humide et un détergent doux. Sécher complètement. Ne pas employer de nettoyants abrasifs.

Pour assurer une utilisation prolongée, essuyer la poussette avec un linge doux et absorbant après chaque utilisation.

Consulter les étiquettes fixées aux articles en tissu pour obtenir les directives de lavage et de séchage.

Il est normal que le tissu se décolore sous l'effet du soleil, s'use ou se déchire après une longue période d'utilisation, même dans des conditions d'utilisation normales.

Pour des raisons de sécurité, utiliser uniquement des pièces Nuna.

Vérifier régulièrement le fonctionnement de toutes les pièces. Cesser d'utiliser le produit s'il comporte des pièces déchirées, brisées ou manquantes.